

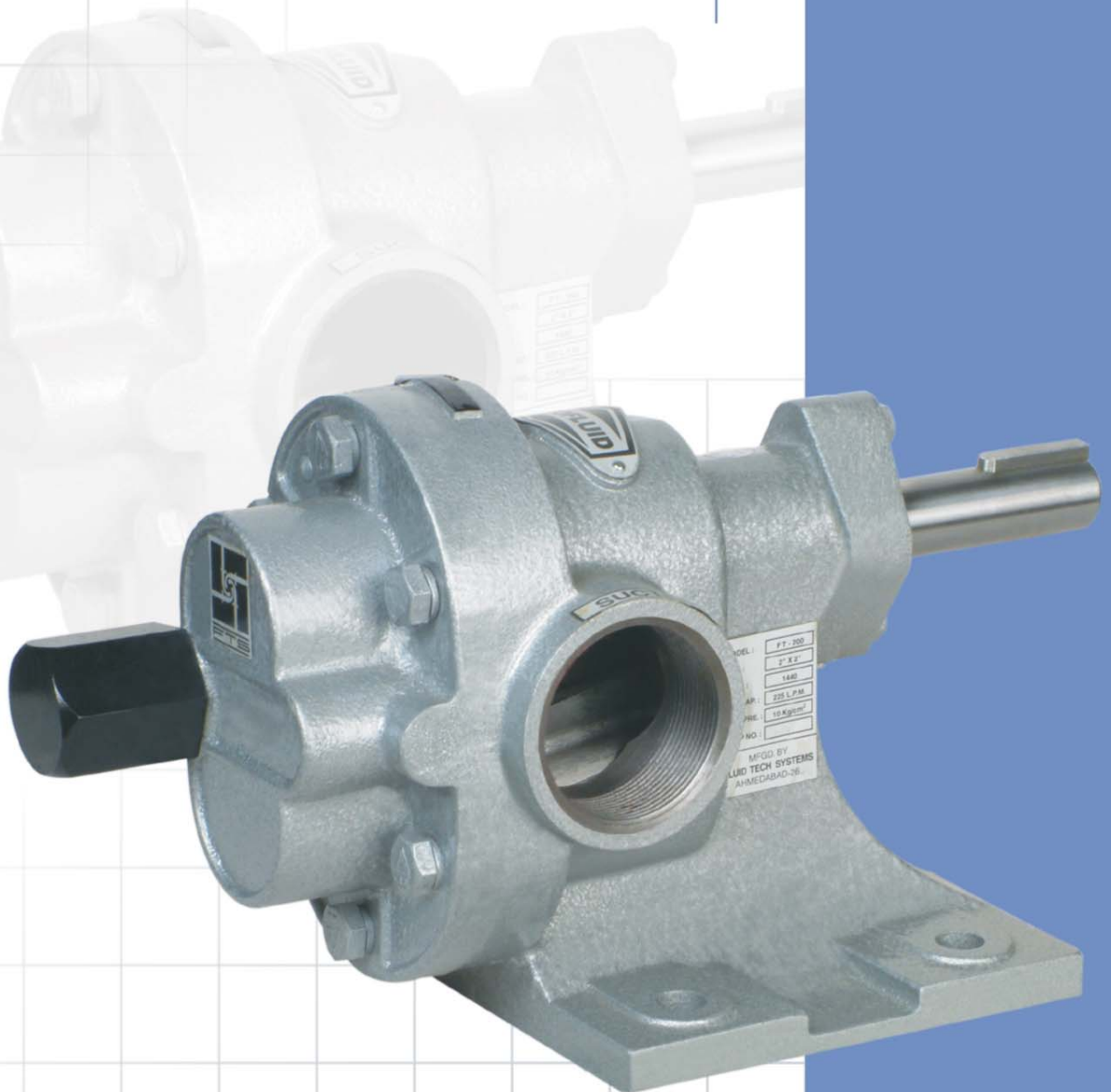


Rotary Gear Pumps
SINCE : 1993

Series : FT

Perfect Solution

for Transfer of Oil, Viscous &
Semi Viscous Liquid



www.rotofluidpumps.com

ROTARY GEAR PUMPS



Fluid Tech Systems

Ahmedabad - 382 430. (Guj.) INDIA

*“Let Our
Quality Speak
For Itself”*

ADVANCED TECHNOLOGY FOR PUMPING VISCOUS LIQUID

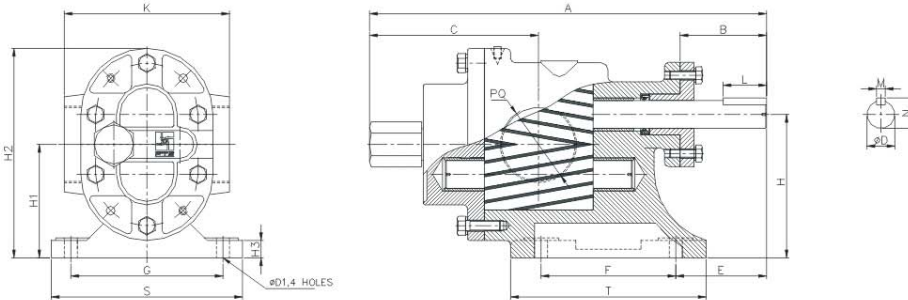


Rotary Gear Pumps
SINCE : 1993

Fluid Tech Systems offers most efficient and economic range of Positive Displacement Rotary Gear Pumps under the brand name "ROTOFLUID" having special features like simple & compact design, low noise, high efficiency, easy to maintain, reliable and low cost. "ROTOFLUID" Rotary Gear Pumps are ideal for Chemical, Petrochemical, Food, Oil, Steel, Refining, Paints, Dairy, Sugar & Pharmaceutical Industries etc. The Pumps are useful for handling viscous liquids i.e. all kinds of oils, viscous chemicals & food applications etc.

MODEL & PERFORMANCE CHART

PUMP MODEL	SUCTION & DELIVERY	CAPACITY AT 1440 RPM			RECOMMENDED MOTOR BHP AT DIFFERENTIAL PRESSURE (KG/CM ²) WITH 1500 SSU VISCOSITY											WT. OF (APPROX.) BARE PUMP IN KG.
		LPM	US GPM	M ³ /hr	Kg/cm ²	1	2	3	4	5	6	7	8	9	10	
FT - 025	¼" X ¼"	05	1.3	0.3	KW	0.20	0.21	0.22	0.23	0.24	0.25	0.26	0.30	0.32	0.35	1.40
					HP				0.25	0.35			0.50			
FT - 050	½" X ½"	20	5.3	1.2	KW	0.30	0.35	0.40	0.45	0.50	0.55	0.60	0.65	0.70	0.75	2.2
					HP				0.5	0.75			1.0			
FT - 075	¾" X ¾"	30	7.9	1.8	KW	0.3	0.45	0.54	0.62	0.69	0.77	0.85	0.92	1.01	1.09	4.2
					HP				0.75	1.0			1.5			
FT - 100	1" X 1"	50	13.2	3.0	KW	0.4	0.50	0.60	0.75	0.89	1.04	1.17	1.30	1.46	1.59	5.0
					HP				1.0	1.5			2.0			
FT - 125	1¼" X 1¼"	75	19.8	4.5	KW	0.7	1.0	1.2	1.4	1.5	1.9	1.95	2.15	2.35	2.55	8.0
					HP				1.5	2.0			3.0			
FT - 150	1½" X 1½"	110	29.0	6.6	KW	1.0	1.45	1.95	2.10	2.40	2.65	2.95	3.25	3.60	3.75	9.5
					HP				2.0	3.0			5.0			
FT - 200	2" X 2"	225	59.4	13.5	KW	2.0	2.5	3.2	3.75	4.3	4.55	5.6	6.2	6.9	7.11	17.2
					HP				3.0	5.0			7.5			
FT - 250	2½" X 2½"	350	92.5	21.0	KW	4.15	5.2	6.1	7.3	8.2	9.1	10.3	11.2	12.1	12.25	28.5
					HP				5.0	10.0			12.5			
FT - 300	3" X 3"	500	132.0	30.0	KW	4.5	6.6	8.4	9.9	11.1	12.1	13.0	13.9	14.9	15.9	50.0
					HP				10	15			20			



MATERIAL OF CONSTRUCTION

STANDARD PARTS

- Body : IS.210 FG 220 C.I. Grade
 - Back Cover : IS.210 FG 220 C.I. Grade
 - Gears : EN - 8 / EN - 24 H. Nitrided
 - Shaft : EN -19 H.G.
 - Bushes : Non Ferrous
 - Seal : Neoprene Oil seal / "Z" Pack Teflon
- Pressure relief valve will be provided in all models.

DIMENSIONAL DRAWING DETAILS

MODEL	A	B	C	E	F	G	S	T	H	H1	H2	H3	L	M	N	DØ	D1Ø	K	PQ
FT - 025	141	32	63	34	35	60	78	60	54	44.5	79	6	18	3	11	9.52	7	65	¼" B.S.P.
FT - 050	172	46	78	51	40	70	90	70	63	50	90	6	22	4	13.5	12	8	70	½" B.S.P.
FT - 075	215	54	92	63.5	45	85	110	80	80	66	115	8	25	5	16.0	14	10	90	¾" B.S.P.
FT - 100	236	64	105	64.5	50	93	125	95	90	73	128	8	27.5	5	19.5	17	10	86	1" B.S.P.
FT - 125	266	70	113	65	60	105	140	110	100	79	140	10	32	6	22.5	20	12	100	1¼" B.S.P.
FT - 150	290	75	120	80	70	115	150	130	110	88	155	12	35	6	24.5	22	12	108	1½" B.S.P.
FT - 200	360	98	140	92	100	140	180	160	132	105	192	15	40	8	28	25	15	142	2" B.S.P.
FT - 250	420	110	175	110	120	155	200	185	145	114	215	18	45	8	31	28	15	160	2½" B.S.P.
FT - 300	457	100	195	105	155	175	220	225	165	130.5	241	20	50	10	35	32	15	190	3" B.S.P.

* All dimensions are in millimeters. Unless otherwise stated, Specifications are subject to change without prior notice as improvements are made from time to time.

CONVERSION FORMULA :	1 Imperial gallon = 4.5 Litres	1 U.S. Gallon = 3.785 Litres	1 p.s.i = 2.31 Feet
	1 Kg./Cm ² = 14.2 p.s.i	1 Metre = 3.281 Feet	1 H.P. = 0.75 KW

Mfgd. by :

Fluid Tech Systems
 Ahmedabad - 382 430. (Guj.) INDIA
 Website : www.rotofluidpumps.com
 E-mail : info@rotofluidpumps.com, rotofluid@dataone.in

Distributor :